

# TECHNICAL DATASHEET

## 130GEL

### ORDER INFORMATION

Short Code

**130Gel**

Quantity per EU/CNT pallet

**21/28 pcs**

LxWxH (mm)

**514x223x195**

Lead weight (kg)

**34.7**

Electrolyte (kg)

**13.6**

Total Weight (kg)

**52.2**

### TECHNOLOGY

Battery Technology

**Gel**

Grid Type (pos/neg)

**Casted/Casted**

Grid Alloy (pos/neg)

**Ca/Ca**

Separator

**Corrugated TGK**

### TECHNICAL INFORMATION

Voltage (V)

**12**

Capacity C5 (Ah)

**130**

Capacity C20 (Ah)

**155**

Cycles (70% DoD)

**700**

### BOX DESIGN

Box Type

**B**

Cover Type

**Flat**

Colour

**Grey**

Polarity

**3**

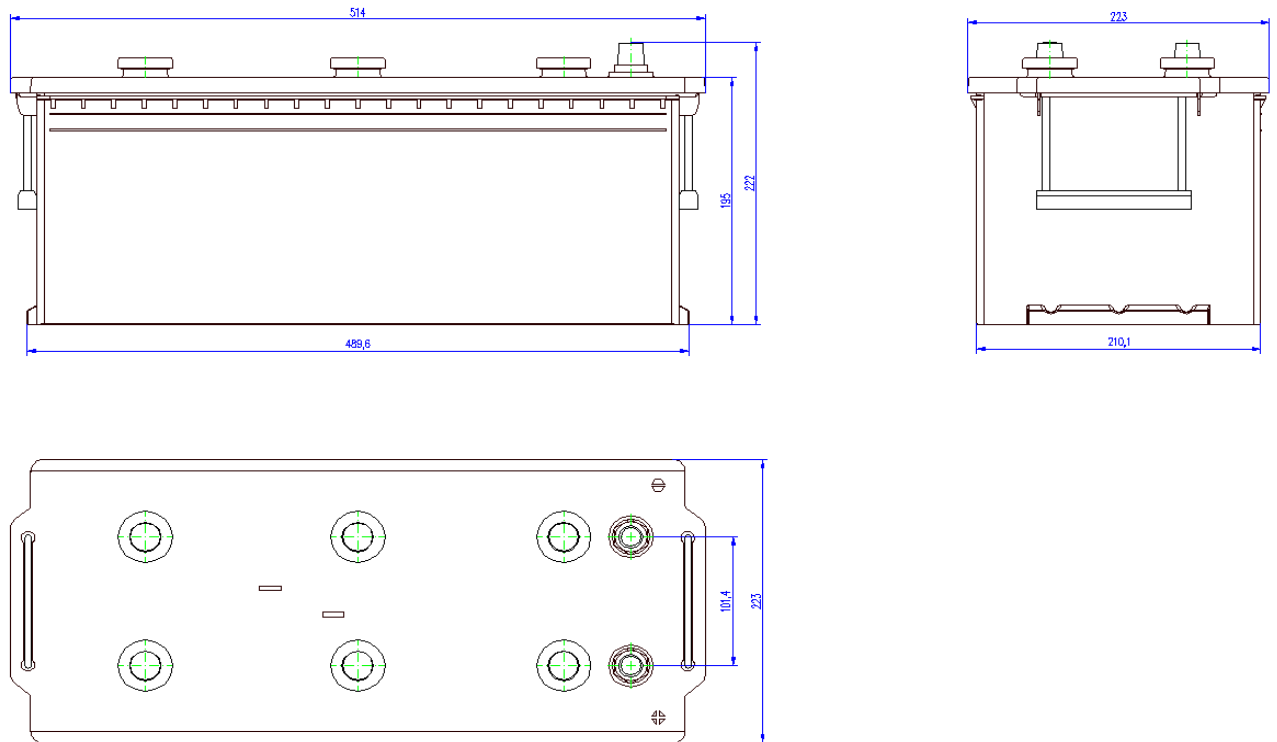
Hold down

**B0/B3**

Terminal

**1**

## DRAWING



## TECHNICAL DATASHEET

### **130 Gel**

TAB d.d, Polena 6, SI-2392 Mežica, Slovenia, [www.tab.si](http://www.tab.si)